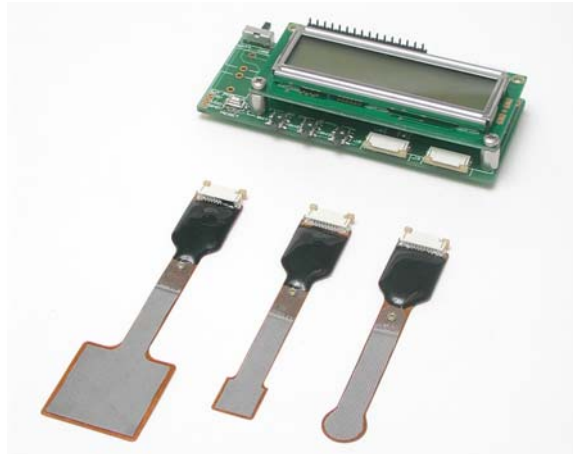


DigiTacts™ Single Point Tactile Sensors with Digital Output



DigiTacts Interface Board and 10mm Diameter Single-Point Sensor

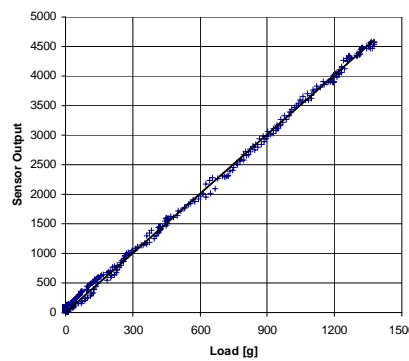
PPS DigiTacts™ Single Point Full System

PPS's Tactile Sensors use capacitive-based pressure sensors to accurately and reliably quantify applied forces. The DigiTacts sensor is a single-point tactile sensor with a digital output that makes it ideal for embedded applications.

The DigiTacts Full System is intended as an easy-to-use kit for evaluating PPS DigiTacts performance, and as a means for design engineers to accelerate the learning curve around capacitive sensors with digital output. The interface board displays the output on an LCD, or communicates with a PC via USB.

- A ribbon cable connector and a standard ribbon cable jumper connects the sensor and interface board.
- Mini-USB connectors are provided for interfacing with the host PC.
- The kit features 2 pushbutton controls: cycle and action.

The full system includes one sensor, interface board, USB interface, LCD display, and starter software.

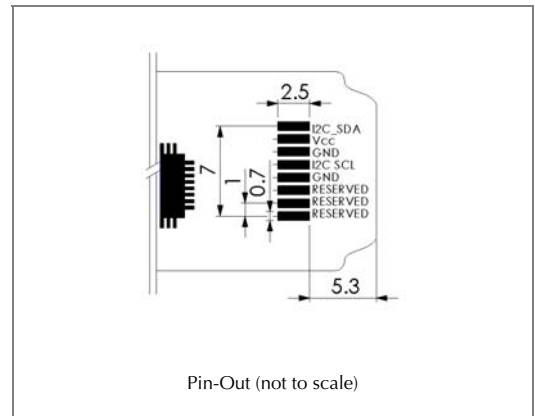
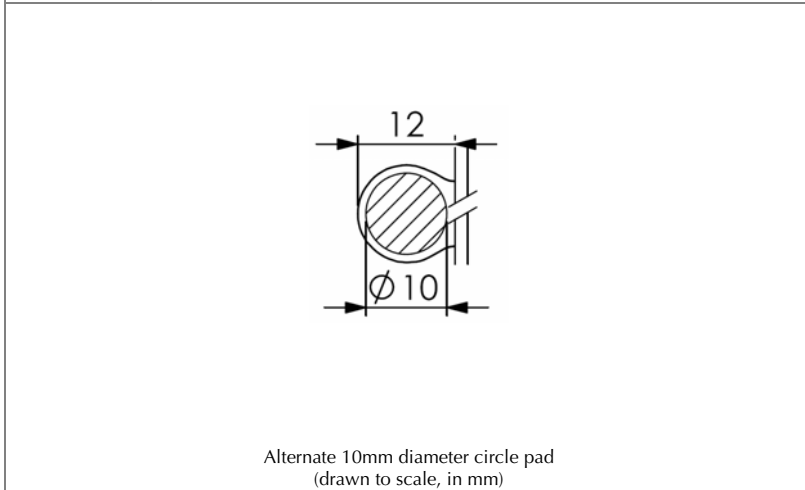
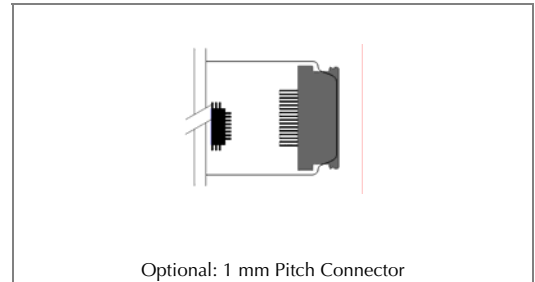
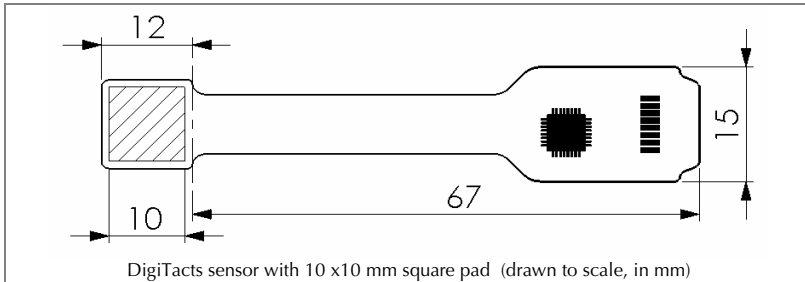
Full System Performance:		Sample Sensor Data (10 mm diameter pad):
Pressure Range:	0-20 psi (0-140 kPa)	
Sensitivity	0.1 psi (0.7 kPa)	
Repeatability	< 2%	
Sample Rate:	30 Hz	
Calibration	Multi-point	
Display	High contrast 8x2 LCD	
Power Requirements	Onboard battery or USB powered	

Please contact PPS for academic and bulk pricing

Sensor Shape & Sizes:

- 10mm diameter circle pad with or without Connector
- 10x10mm square pad with or without Connector

Custom designs, including multi-point configuration, are available upon request.



Additional Sensor Specifications:

Power Requirements:	4 mA at 5V
Voltage:	3.3V or 5V
Interface:	I ² C
Termination:	Solder pads or Connector
Thickness	< 0.5 mm
Temperature Range:	-40 to +85 C

Contact PPS for academic and bulk discounts.