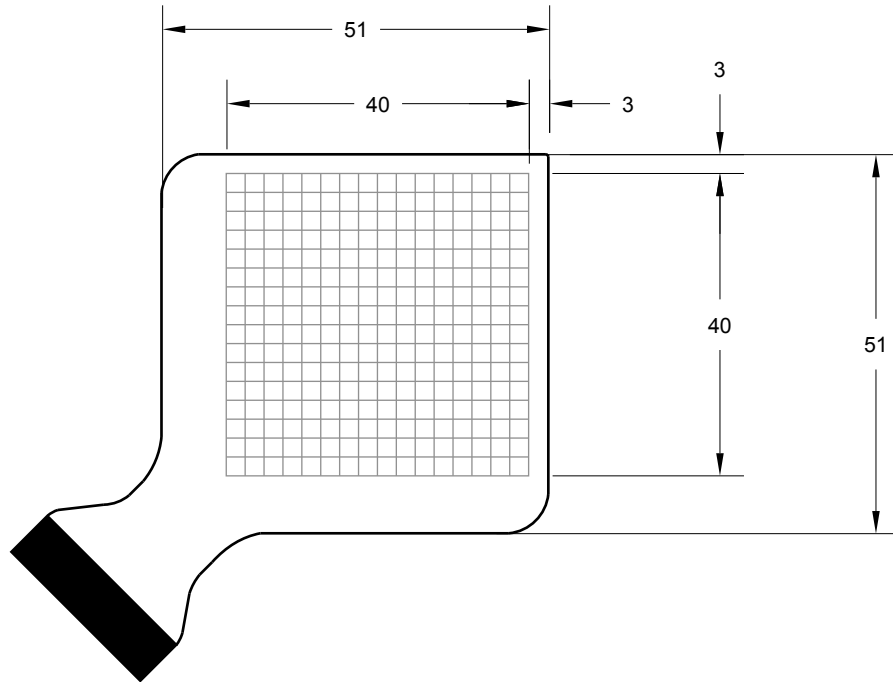

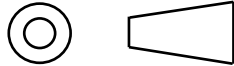


SENSOR SPECIFICATIONS	
SENSOR TYPE	HYBRID TACTARRAY
ARRAY SIZE	16x16
SENSING ELEMENTS	256
ELEMENT SIZE	2.5mm x 2.5mm
FULL SCALE PRESSURE RANGE	10, 30, 50, 100, 150psi
CABLE LENGTH	1.5m

REVISIONS			
REV	DESCRIPTION	DATE	APPV
01	INITIAL RELEASE	06.01.11	HT



UNLESS OTHERWISE SPECIFIED: DIMENSIONS ARE IN MILLIMETERS TOLERANCES ARE:  DECIMALS      ANGLES .X ± 0.5        ± 1° .XX ± 0.05	APPROVALS		DATE	 Pressure Profile Systems, Inc 5757 Century Blvd, Suite 600 Los Angeles, CA 90045
	DRAWN	ML	06.01.11	
	CHECKED			
	ENGR			
	QA			
APVD				
THIRD ANGLE PROJECTION				TITLE
				HTA, 16x16, 2.5mm
MATERIAL:	NEXT ASSY		USED ON	SIZE
FINISH	APPLICATION		DO NOT SCALE DRAWING	DWG. NO.
				A
				3733
				REV.
				01
				SCALE: 1:1
				SHEET 1 OF 1