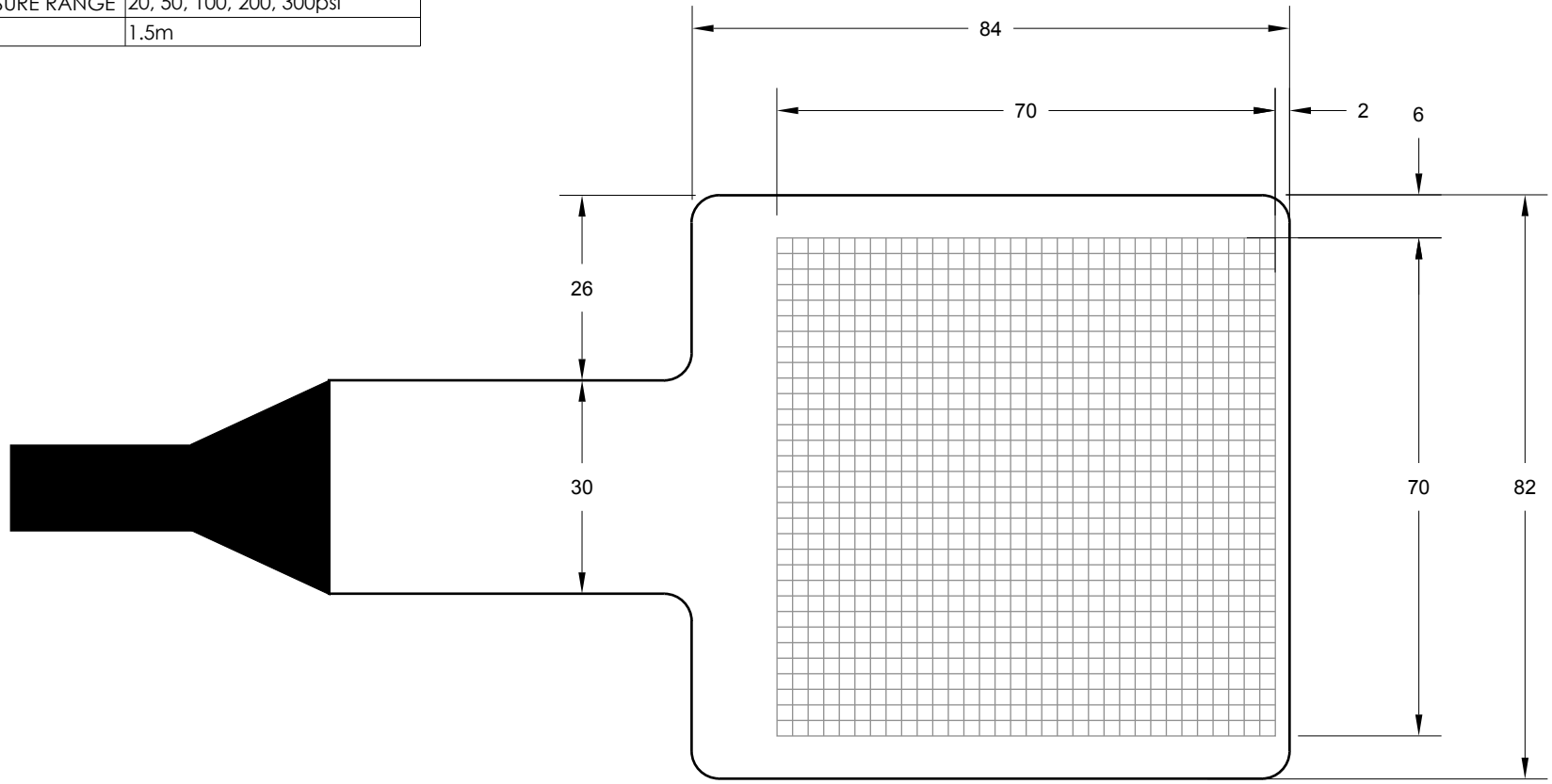

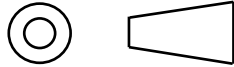


SENSOR SPECIFICATIONS	
SENSOR TYPE	INDUSTRIAL TACTARRAY
ARRAY SIZE	32x32
SENSING ELEMENTS	1024
ELEMENT SIZE	2.2mm x 2.2mm
FULL SCALE PRESSURE RANGE	20, 50, 100, 200, 300psi
CABLE LENGTH	1.5m

REVISIONS			
REV	DESCRIPTION	DATE	APPV
01	INITIAL RELEASE	06.01.11	HT



<p>THIS DOCUMENT CONTAINS INFORMATION PROPRIETARY TO PRESSURE PROFILE SYSTEMS, INC. NEITHER THIS DOCUMENT NOR ITS CONTENTS MAY BE REPRODUCED, USED OR DESCRIBED TO ANY THIRD PARTY IN WHOLE OR IN PART WITHOUT THE WRITTEN PERMISSION OF PRESSURE PROFILE SYSTEMS, INC.</p>			<p>UNLESS OTHERWISE SPECIFIED: DIMENSIONS ARE IN MILLIMETERS TOLERANCES ARE:</p> <p>DECIMALS      ANGLES .X ± 0.5        ± 1° .XX ± 0.05</p>	APPROVALS		DATE	 <p>Pressure Profile Systems, Inc 5757 Century Blvd, Suite 600 Los Angeles, CA 90045</p>	
				DRAWN	ML	06.01.11		
				CHECKED				
				ENGR				
				QA				
		APVD			TITLE			
					<p>ITA, 32x32, 2.2mm</p>			
					THIRD ANGLE PROJECTION			
								
						SIZE	DWG. NO.	REV.
						A	4821	01
						SCALE: 1:1		SHEET 1 OF 1

5      4      3      2      1