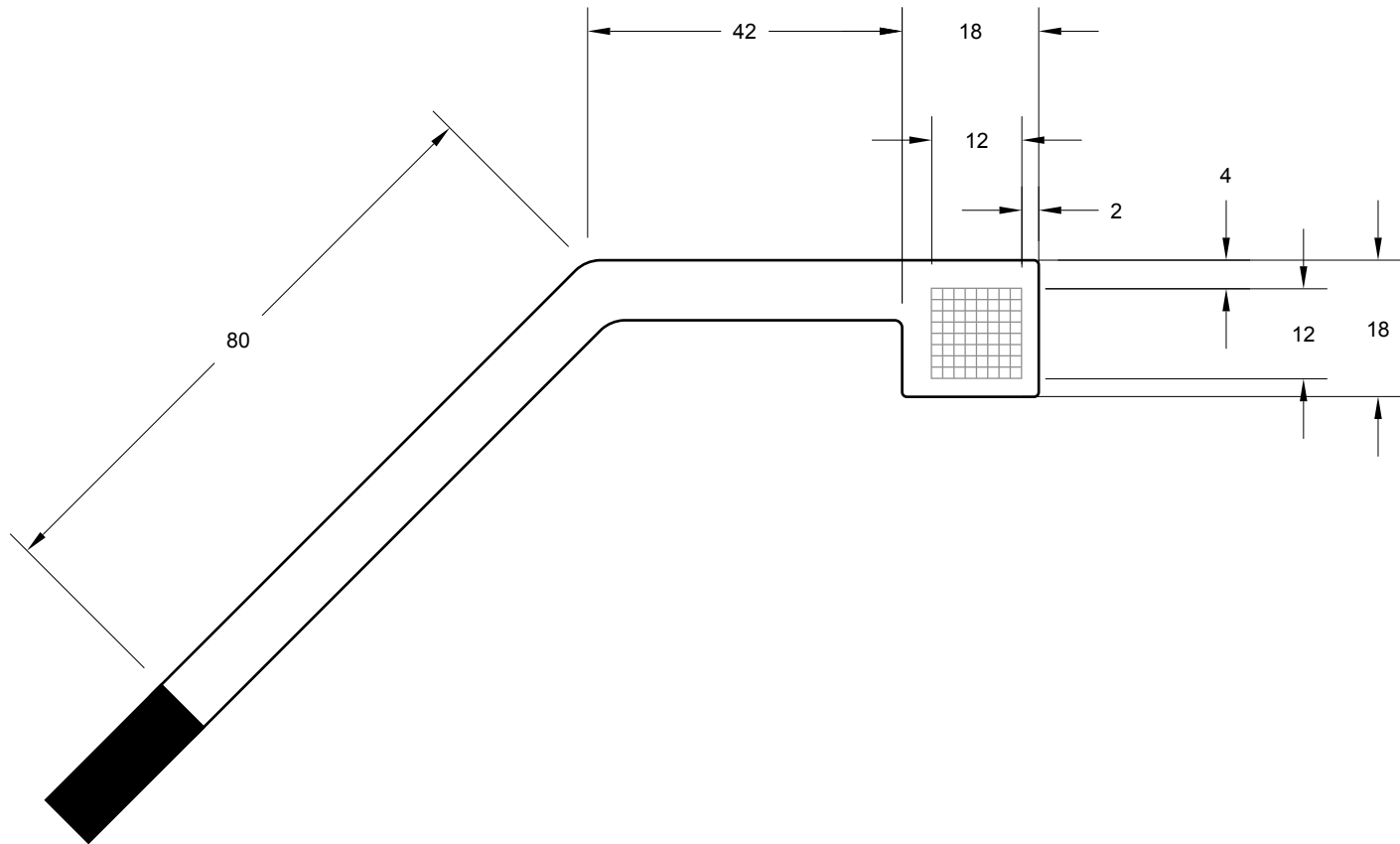

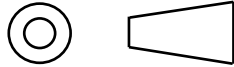
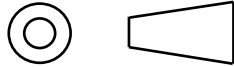


SENSOR SPECIFICATIONS	
SENSOR TYPE	INDUSTRIAL TACTARRAY
ARRAY SIZE	8x8
SENSING ELEMENTS	64
ELEMENT SIZE	1.5mm x 1.5mm
FULL SCALE PRESSURE RANGE	20, 50, 100, 200, 300psi
CABLE LENGTH	1.5m

REVISIONS			
REV	DESCRIPTION	DATE	APPV
01	INITIAL RELEASE	06.01.11	HT



THIS DOCUMENT CONTAINS INFORMATION PROPRIETARY TO PRESSURE PROFILE SYSTEMS, INC. NEITHER THIS DOCUMENT NOR ITS CONTENTS MAY BE REPRODUCED, USED OR DESCRIBED TO ANY THIRD PARTY IN WHOLE OR IN PART WITHOUT THE WRITTEN PERMISSION OF PRESSURE PROFILE SYSTEMS, INC.	UNLESS OTHERWISE SPECIFIED: DIMENSIONS ARE IN MILLIMETERS TOLERANCES ARE:		APPROVALS		DATE	 Pressure Profile Systems, Inc 5757 Century Blvd, Suite 600 Los Angeles, CA 90045
	DECIMALS      ANGLES		DRAWN	ML	06.01.11	
	.X ± 0.5	± 1°	CHECKED			
	.XX ± 0.05		ENGR			
			QA			
		APVD			TITLE	
		MATERIAL:	THIRD ANGLE PROJECTION			ITA, 8x8, 1.5mm
		FINISH				SIZE    DWG. NO.    REV.
	NEXT ASSY	USED ON				A                    5226                    01
	APPLICATION		DO NOT SCALE DRAWING			SCALE: 1:1                    SHEET 1 OF 1