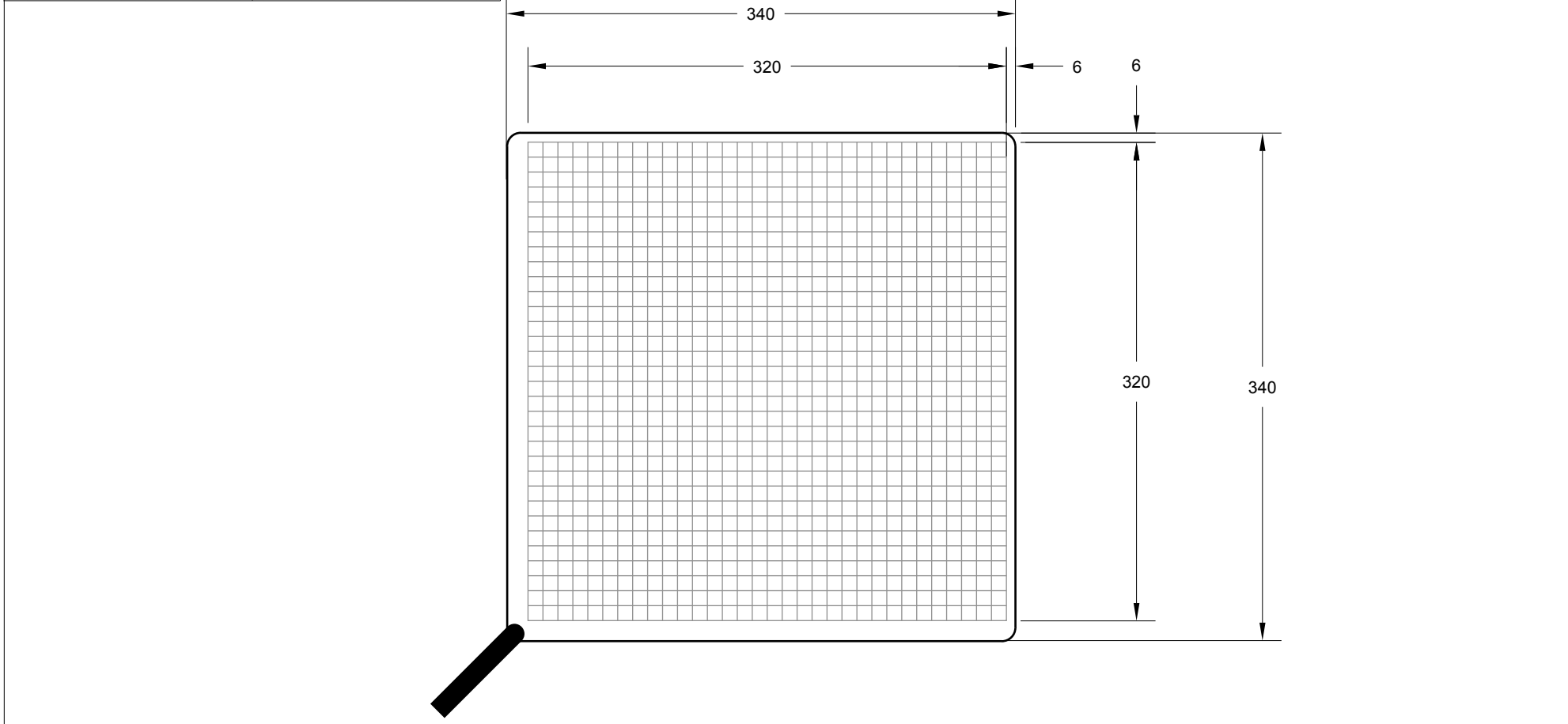

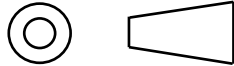


SENSOR SPECIFICATIONS	
SENSOR TYPE	STRETCHABLE TACTARRAY
ARRAY SIZE	32x32
SENSING ELEMENTS	1024
ELEMENT SIZE	10mm x 10mm
FULL SCALE PRESSURE RANGE	5, 10, 15, 20psi
CABLE LENGTH	1.5m

REVISIONS			
REV	DESCRIPTION	DATE	APPV
01	INITIAL RELEASE	06.01.11	HT



UNLESS OTHERWISE SPECIFIED: DIMENSIONS ARE IN MILLIMETERS TOLERANCES ARE:  DECIMALS      ANGLES .X ± 0.5        ± 1° .XX ± 0.05	APPROVALS		DATE	 Pressure Profile Systems, Inc 5757 Century Blvd, Suite 600 Los Angeles, CA 90045
	DRAWN	ML	06.01.11	
	CHECKED			
	ENGR			
	QA			
APVD				
THIRD ANGLE PROJECTION				TITLE
				<b>STA, 32x32, 10mmx10mm</b>
MATERIAL:		DWG. NO.		REV.
FINISH		A		01
DO NOT SCALE DRAWING		5233		
NEXT ASSY      USED ON APPLICATION		SCALE: 1:4		SHEET 1 OF 1

THIS DOCUMENT CONTAINS INFORMATION PROPRIETARY TO PRESSURE PROFILE SYSTEMS, INC. NEITHER THIS DOCUMENT NOR ITS CONTENTS MAY BE REPRODUCED, USED OR DESCRIBED TO ANY THIRD PARTY IN WHOLE OR IN PART WITHOUT THE WRITTEN PERMISSION OF PRESSURE PROFILE SYSTEMS, INC.